

Combustion Fan Replacement

For help with product installation, troubleshooting, servicing and more, visit
www.rinnai-lms.com

Combustion Fan Replacement

These instructions are compatible with the following kit:

104000289 - for all SENSEI™ Condensing Tankless Water Heaters and I-Series Boilers



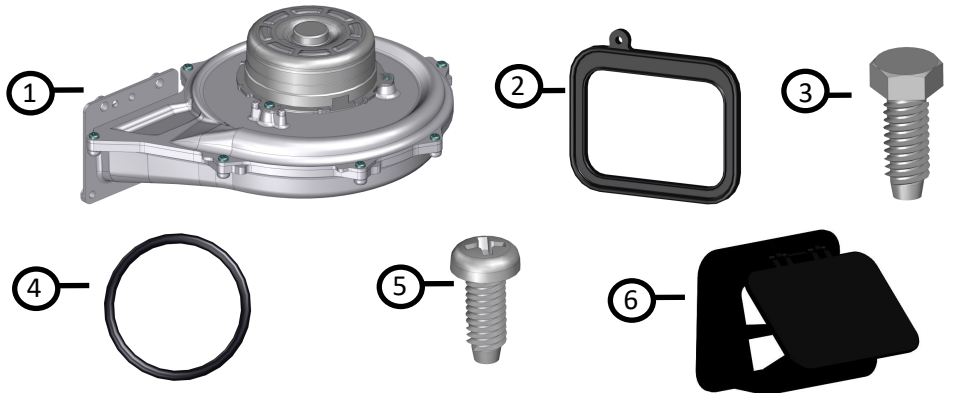
WARNING

Failure to correctly assemble the components according to these instructions may result in electric shock, injury, or death.

Items Inside Product Box

Before installation, please make sure all parts are located inside the product box.

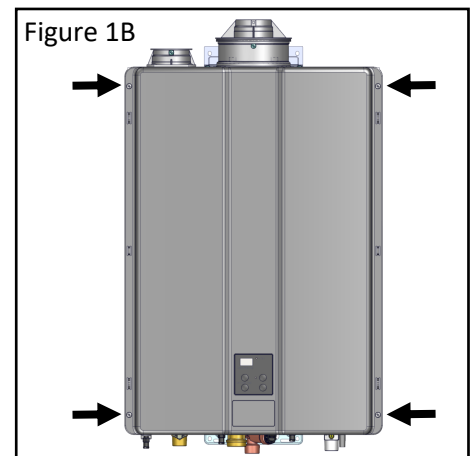
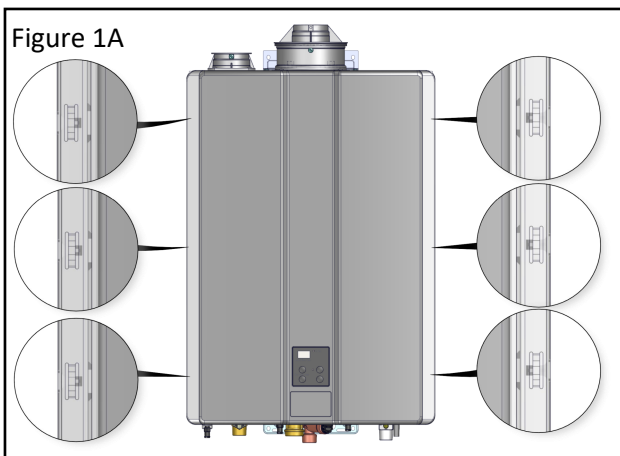
Item #	Item	Qty
1	Combustion Fan	1
2	Fan Mount Packing	1
3	Hexagon Head Screw	3
4	Large O-ring	1
5	Screw	4
6	Check Valve	1



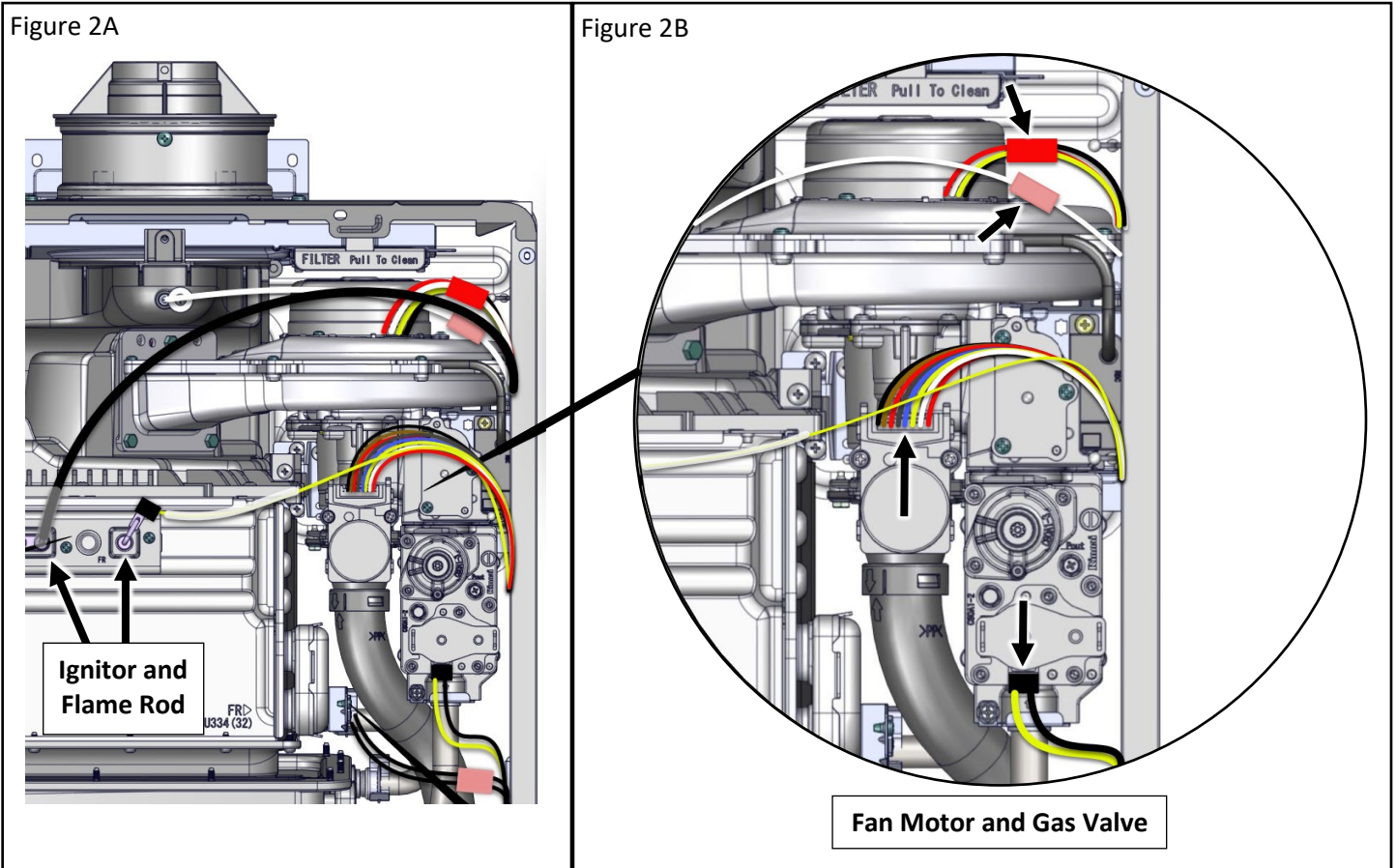
Instructions:

Note: The illustrations in this document show tankless water heaters, but the replacement process is the same for all SENSEI™ Tankless Water Heaters and I-Series Boiler models.

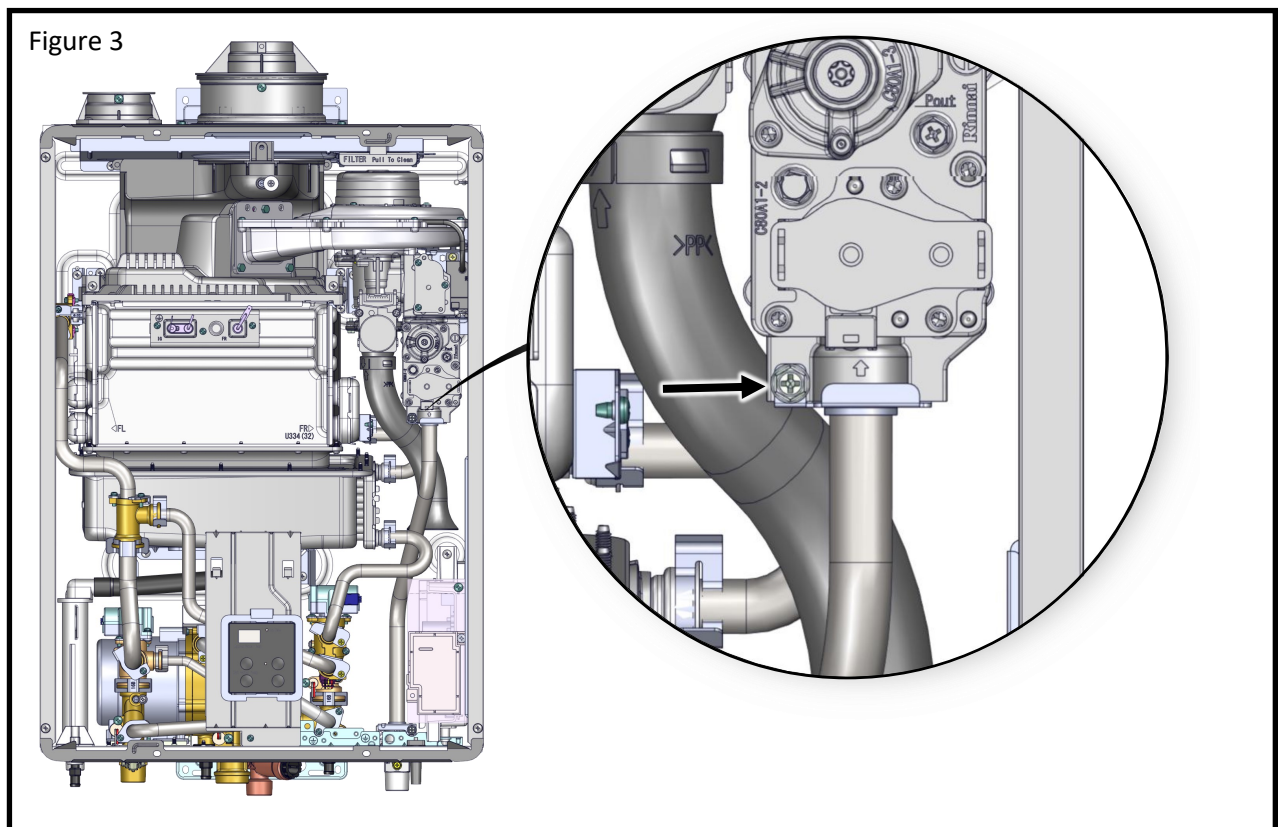
1. Turn off and disconnect 120 V power supply.
2. Turn off water supply.
3. Turn off gas supply.
4. Remove front panel by removing side strips (Figure 1A). Remove four screws securing front panel (Figure 1B).



5. Locate and disconnect the ignitor and flame rod harnesses (Figure 2A).
6. Locate and unplug the wire harness connecting to the fan motor and gas valve (Figure 2B).

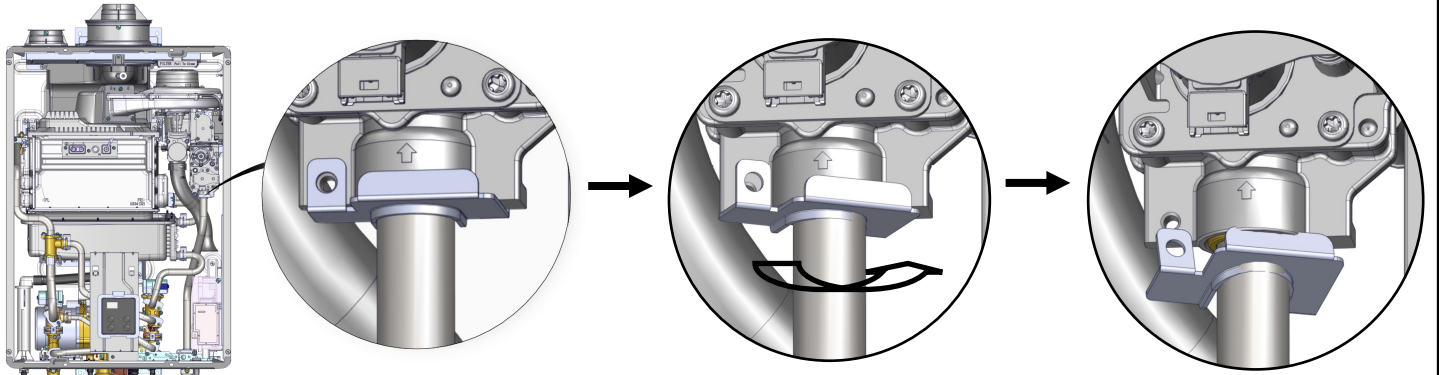


7. Remove screw securing retention clip to the bottom of the gas valve (Figure 3).



8. Remove retention clip by rotating towards the right, then pull down and away (Figure 4).

Figure 4



9. Remove three screws securing the fan to the air intake of the burner (Figure 5A).

10. Remove the fan / gas valve assembly from the unit (Figure 5B).

Figure 5A

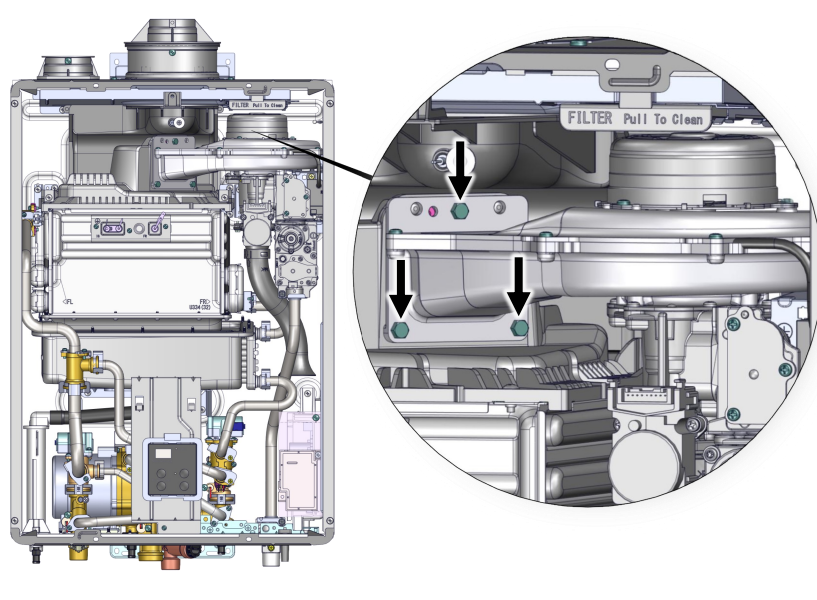
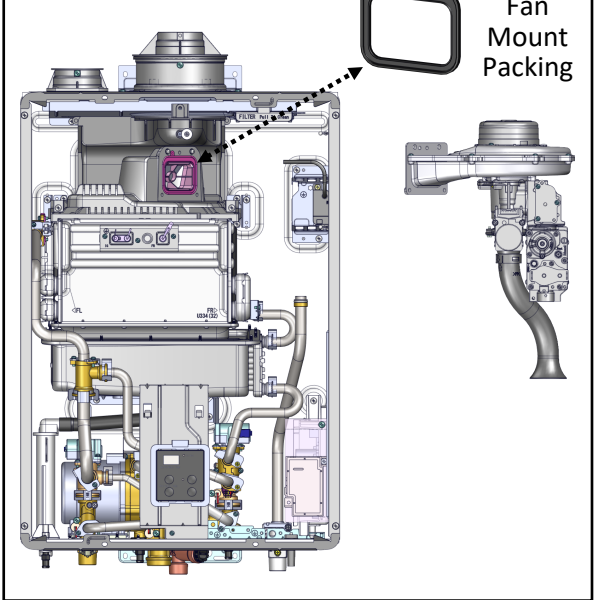


Figure 5B



11. Locate and remove four screws securing the gas valve to the bottom of the fan assembly (Figure 6A).

12. Separate the fan assembly from the gas valve (Figure 6B).

Figure 6A

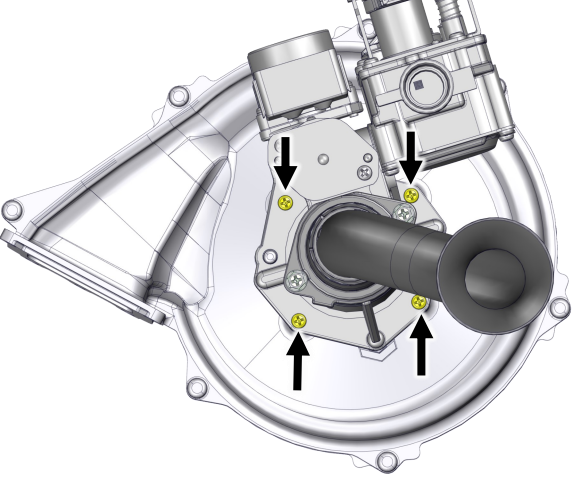
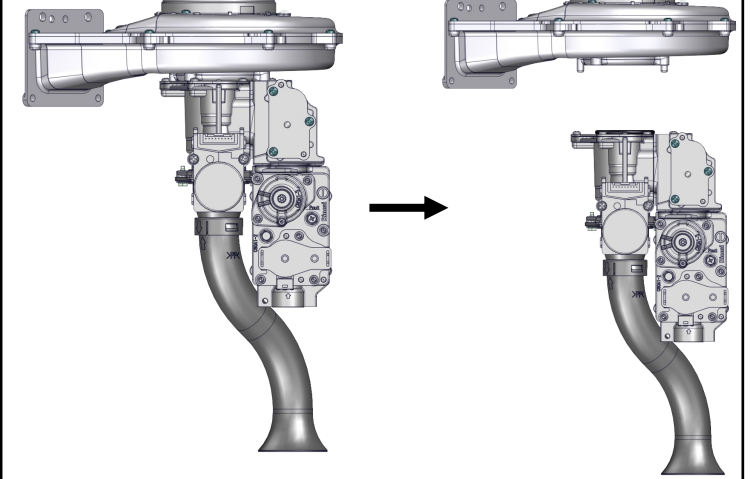
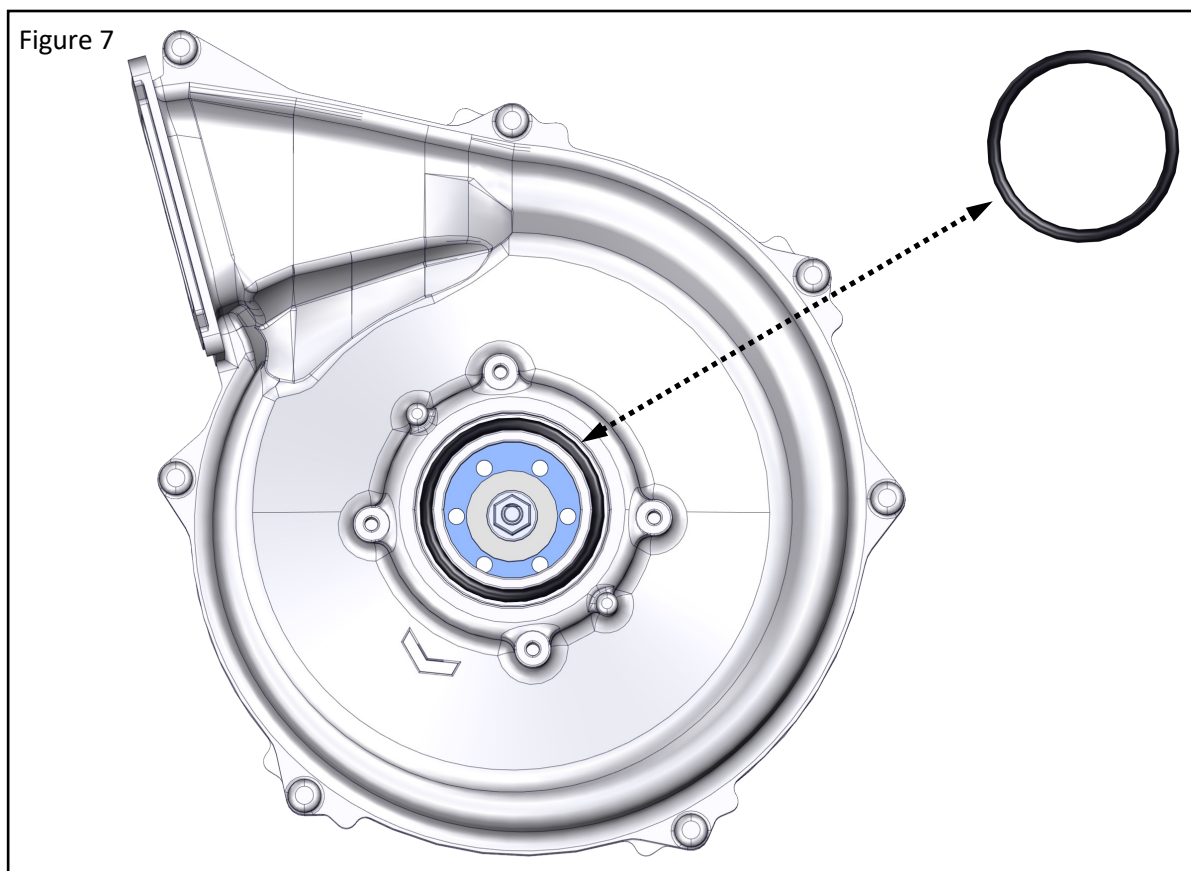


Figure 6B



13. Replace large O-ring from bottom of the fan (gas valve connection location) with new large O-ring provided in this kit (Figure 7).



Combustion Fan Reassembly

1. Install the fan assembly onto the gas valve assembly using four new screws provided in this kit (Figures 6B and 6A).
2. Install the fan/gas valve assembly back into the unit, connecting the bottom of the gas valve to the gas inlet pipe (Figure 5B).
3. Secure the fan to the air intake of the burner using three new screws provided in this kit (Figure 5A).
4. Install the retention clip by placing it on the pipe at the top of the gas valve connection. Then rotate the clip to the left to align the screw holes (Figure 4).
5. Secure the retention clip using one screw (Figure 3).
6. Reconnect the ignitor and flame rod harness to the electrode and flame rod (Figure 2A).
7. Reconnect the wire harnesses to the fan motor and gas valve (Figure 2B).
8. Reconnect and turn on 120 V power supply, water supply and gas supply.
9. Perform leak detection test for gas.
10. Once all checks have been successfully completed reinstall the front cover using four screws to secure it in place (Figure 1B).
11. Reinstall the side strips to the front panel, clipping them into place on the front panel (Figure 1A).

If You Need Service

Contact Rinnai Customer Care at 1-800-621-9419.